

X-Smart Spare Parts Contra_angle

H1004C5210500

Head cap 1+2

H1004C5210150

Cartridge 3

H1004C5470110

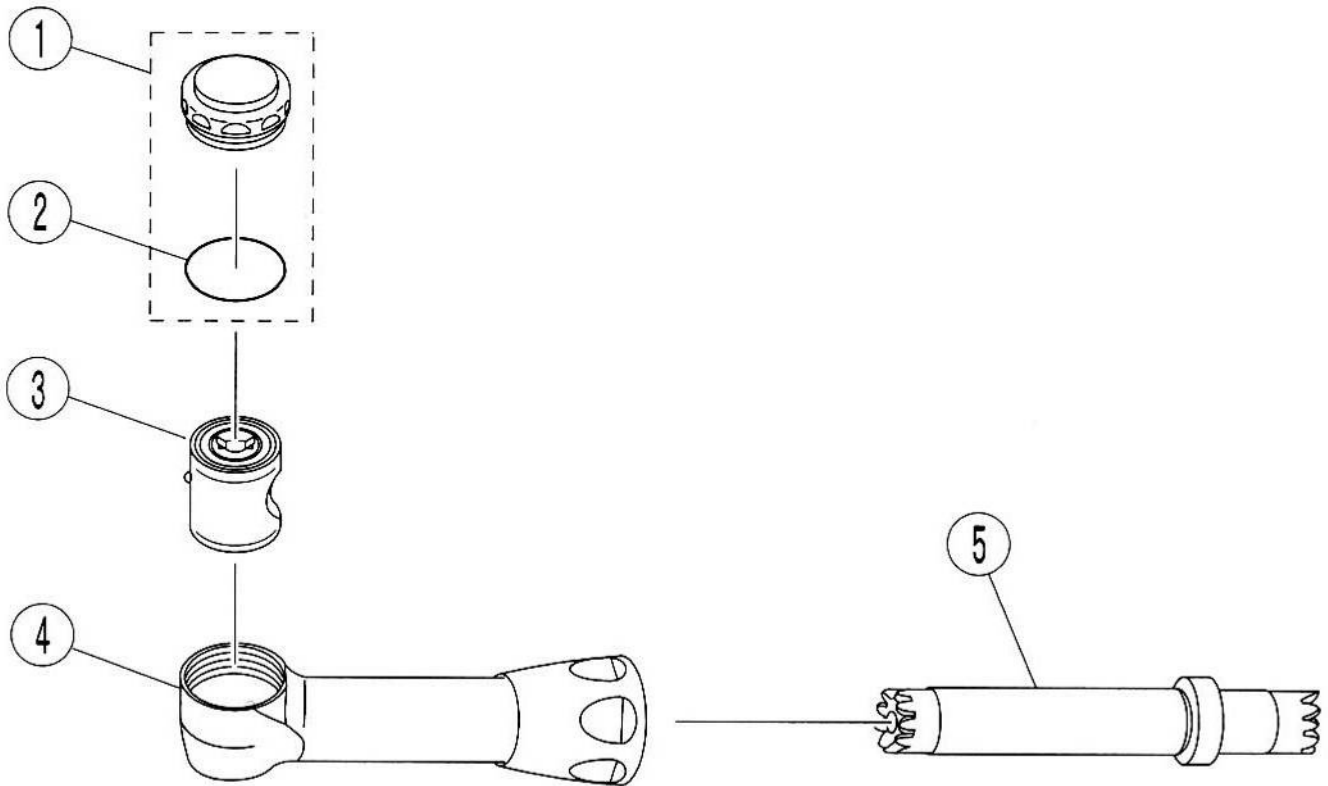
Head Ass'y 4

H1004C5470220

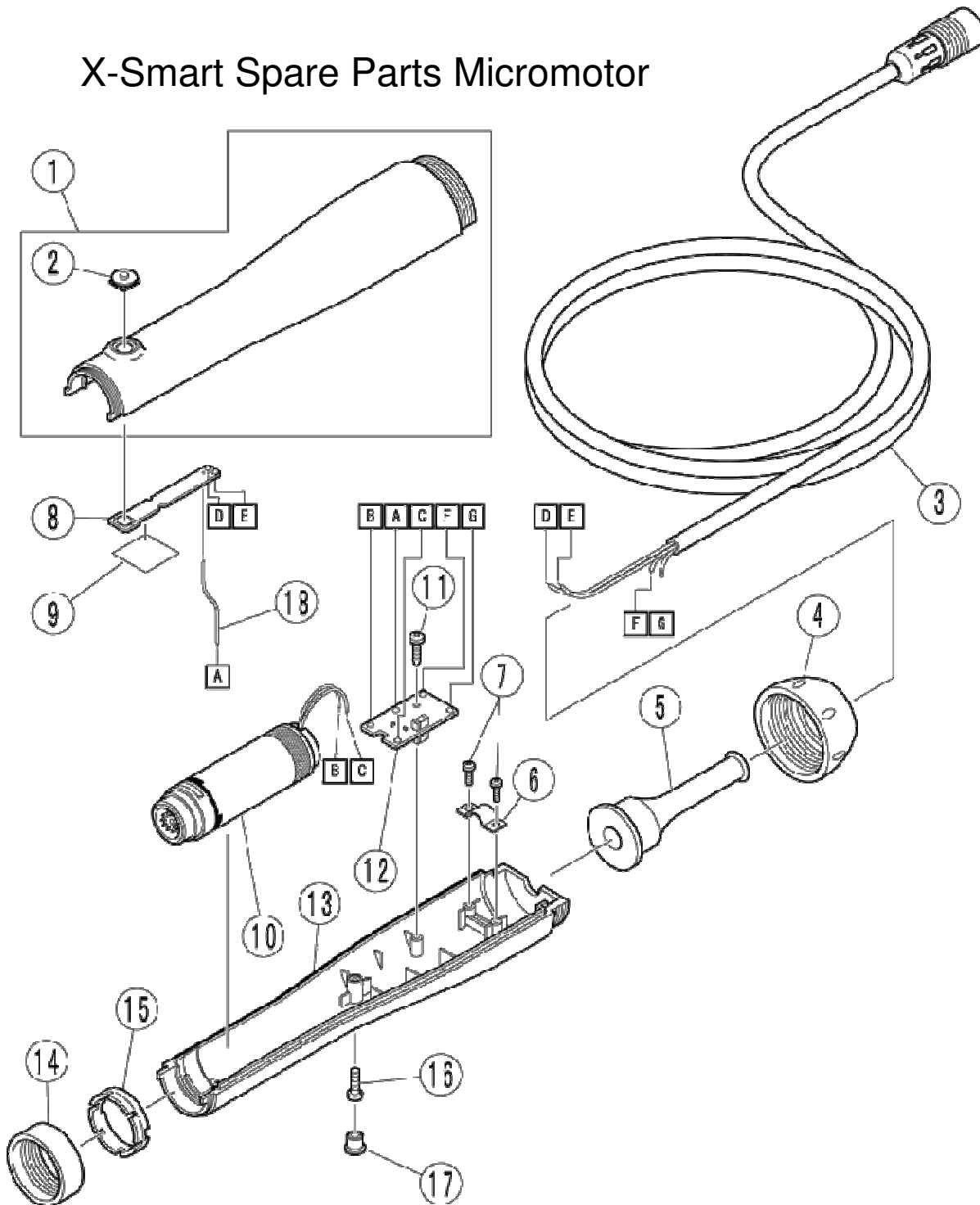
Neck 5

H01004C871000

Reduction Shank 16:1 not displayed



X-Smart Spare Parts Micromotor



H1004E2810010

Casing Ass'y

1+13+14+15+16+17+4+5+6+7

H1004E2810020

Switch Ass'y

8+11+12

H1004E2750500

Cable Ass'y

3

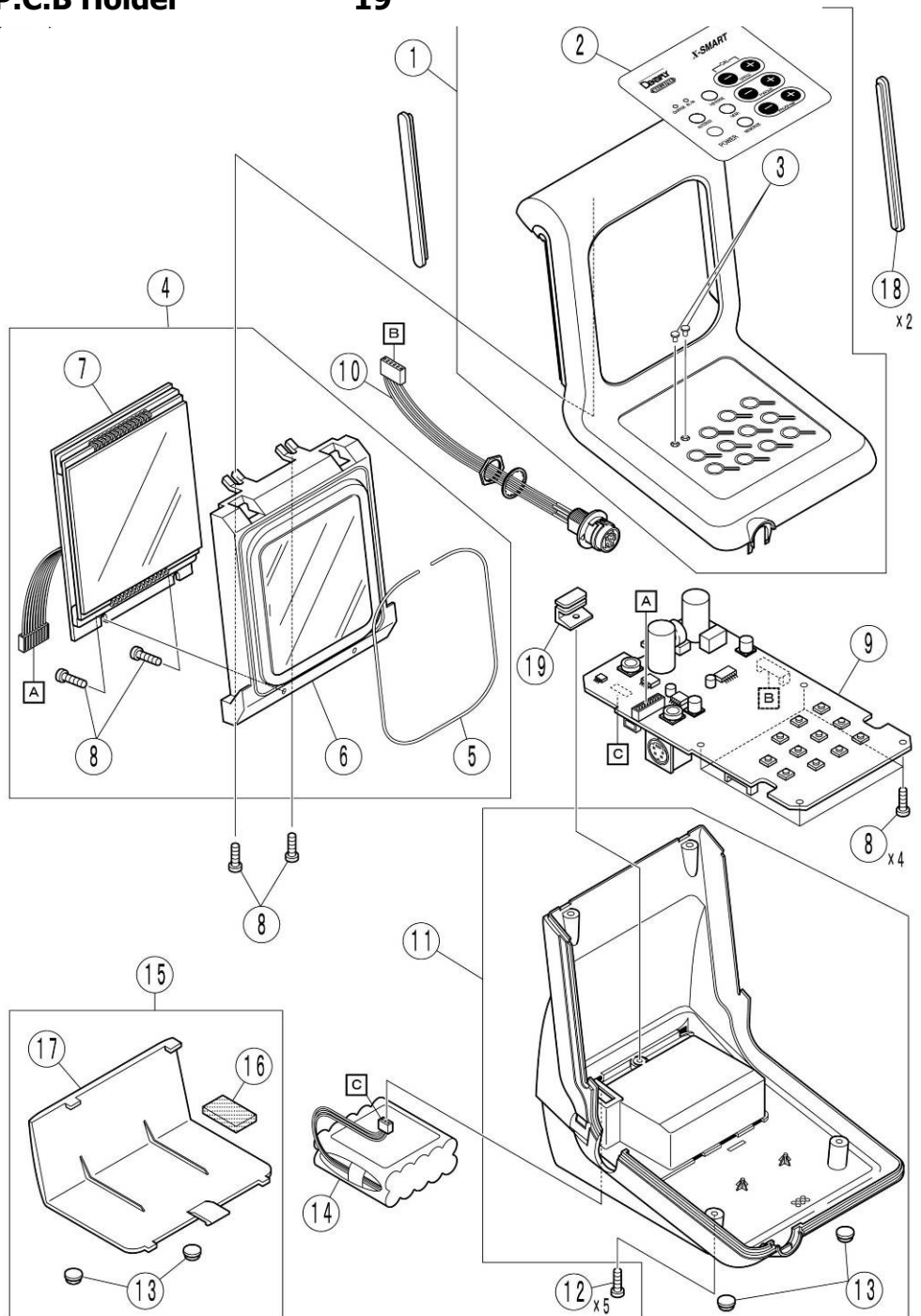
H1004E2750210

Motor Ass'y

10

X-Smart Spare Parts

H1004U4750600	Top Panel Ass'y	1,2,3
H1004U4750120	LCD Ass'y	7
H1004U4210220	Display P.C.B. Ass'y	4
H1004U4750290	Main P.C.B. Ass'y	9
H1004U4750500	Motor Output Ass'y	10
H1004U4750610	Bottom Case Ass'y	11
H1004U4750150	Battery Cover Ass'y	15
H1004U4751050	Side Trim	18
H1004U4751060	P.C.B Holder	19





Ref: H 1004 C54 70110 Head Assembly



Ref : H 1004 C54 702 20 Neck



Ref : H 1004 C87 710 00 Reduction Shank 16:1

X-Smart Accessories

X-SMART	
ENDO MOTOR	
A100400000000	X-SMART W/CONTRA ANGLE EUR
A100601600000	X-SMART CONTRA ANGLE 16:1
A100700000400	X-SMART FOOT PEDAL
A100700000200	X-SMART AC ADAPTER EUR
A100700000500	X-SMART SPRAY NOZZLE
A100700000700	X-SMART E-TYPE NOZZLE
A100700000100	X-SMART BATTERY
X-SMART DUAL	
MOTOR AND APEX LOCATOR IN ONE DEVICE	
A102400000000	X-SMART DUAL EUR
A102600200000	X-SMART DUAL CONTRA ANGLE 2:1
A102500000100	X-SMART DUAL BATTERY
A102500000200	X-SMART DUAL CHARGER EUR
A102500000300	X-SMART DUAL APEX LOCATOR SET
A102500000400	X-SMART DUAL HOOK (x2)
A102500000500	X-SMART DUAL LIP CLIP (x5)
A102700000000	X-SMART DUAL CASE EUR
X-SMART EASY	
THE CORDLESS ENDO MOTOR	
A102200000000	X-SMART EASY with contra-angle
A100601600000	X-SMART CONTRA-ANGLE 16:1
A102300000100	X-SMART EASY battery
A100700000800	X-SMART SPRAY
A100700000600	CLEANING ADAPTER FOR X-SMART
A100700000500	SPRAY NOZZLE FOR X-SMART